

CABLE 146 RF: RF CABLE ASSEMBLY, HIROSE H.FL + FRONT MOUNT RP TNC BULKHEAD WITH O-RING + MULTIPLE CABLE SIZES

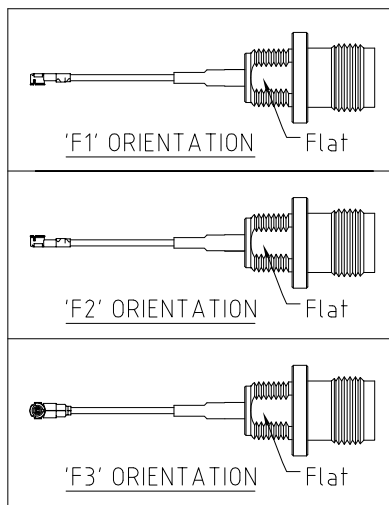
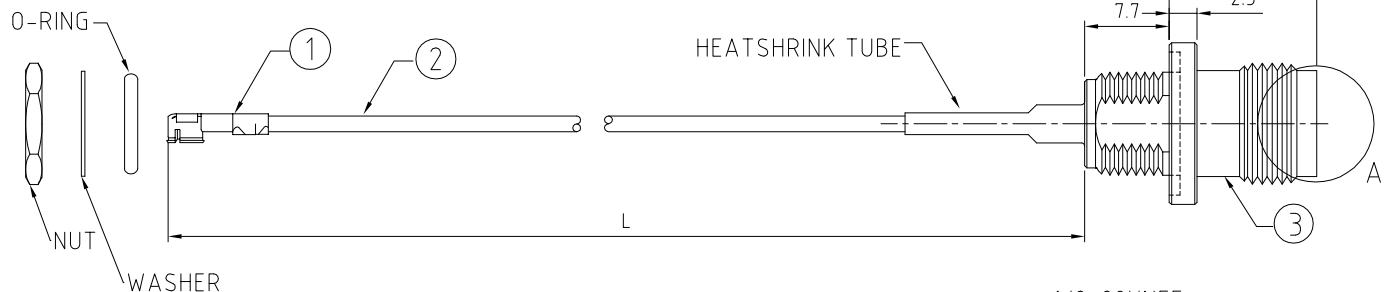
SPECIFICATIONS :

1. HIROSE H.FL PLUG : H.FL-LP
2. COAXIAL CABLE, SEE CABLE SIZE OPTIONS.
3. FRONT MOUNT RP TNC BULKHEAD JACK WITH O-RING (RFCT-TNC010-F32).

NOTES:

1. THE ORIENTATION OF CONNECTORS ON DRAWING IS FOR REFERENCE ONLY, IF THE ORDER IS LEFT BLANK THE CONNECTOR WILL NOT HAVE FIXED ORIENTATION.
2. FIXED ORIENTATION IS SUGGESTED FOR CABLE LENGTH 50MM TO 100MM. PLEASE SPECIFY THE FIXED ORIENTATIONS FROM THE ORDER CODE (F1, F2, ETC)
3. CONTACT GRAD CONN IF THE ORIENTATION YOU REQUIRE IS NOT SHOWN.
4. WORKING FREQUENCY RANGE: DC-3GHz
5. IT IS INTENDED THAT MOUNTING OF THIS CONNECTOR IS ACHIEVED USING THE NUT AND WASHER PROVIDED. PLEASE CONTACT GRADCONN FOR ADVISE IF PLANNING TO USE A DIFFERENT METHOD OF MOUNTING.

USAGE PRECAUTIONS: CABLES USING 'MICRO' COAX ARE DELICATE:  
 (i) HANDLE WITH CARE.  
 (ii) DO NOT TWIST; APPLY EXCESSIVE FORCES OR SHARP BENDS TO THE CABLE. DO NOT FORCEFULLY DEFORM WIRES.  
 (iii) CONSULT CONNECTOR MANUFACTURER'S DATASHEETS FOR DETAILED NOTES ON HANDLING INSTRUCTIONS.



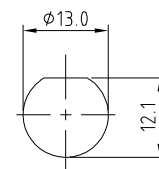
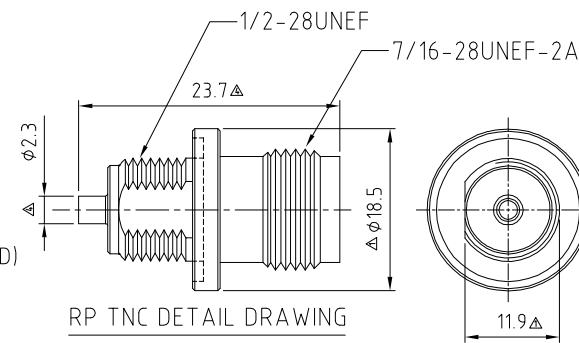
HOW TO ORDER  
 CABLE 146 RF - X X X - X X - X - X

"L" LENGTH IN MM:  
 eg: 100MM = 100  
 (MIN. 050-MAX.400  
 STANDARD = 100, 150, 200)  
 Tolerance: 50mm : ±2mm.  
 51-200mm: ±5mm.  
 201-400mm: ±7mm.

CABLE SIZE OPTIONS:  
 BLANK = Ø1.32MM CABLE, COLOR: GRAY  
 1 = Ø1.37MM CABLE, COLOR: BLACK (STANDARD)

O-RING, WASHER AND NUT OPTIONS:  
 BLANK = SEPARATELY PACKED (STANDARD)  
 A = ALL ASSEMBLED WITH CONNECTOR  
 Δ B = ONLY O-RING ASSEMBLED WITH CONNECTOR

ORIENTATION OPTIONS:  
 BLANK = DOES NOT HAVE A FIXED ORIENTATION  
 F1 = H.FL CONNECTION DOWN (L=50-220MM)  
 F2 = H.FL CONNECTION UP (L=50-220MM)  
 F3 = H.FL CONNECTION & TNC FLAT SAME ORIENTATION  
 (SEE NOTES 1, 2, 3 AND DIAGRAMS FOR MORE INFORMATION)



10	REV. DATE & DRN
11	10/18/12 - NYW RELEASE
12	09/06/13 - NYW
13	Δ AMEND TNC DIMENSION
14	Δ ADD WASHER & NUT OPTION B
15	Δ ADD WASHER & NUT OPTION B
16	ADD 1.37MM CABLE OPTION.
17	14/26/07/19 - NYW
18	Δ AMEND TNC TERMINATION DESIGN MIN. CABLE LENGTH
19	12/28/07 - NYW
20	ADD NOTE 5.

Scale:	NTS	THIRD ANGLE	Unstated X .XX .XXX ANGLES	Tolerances: N/A N/A N/A N/A	Material SEE NOTE
Drawn:	NYW				
App'd:	XXX	Title	CABLE ASSEMBLY		NOT TO SCALE
Date:	12 AUG. '20	Revision:	1.5		Unit: mm

www.gradconn.com

THIS DRAWING IS CONFIDENTIAL AND MUST NOT BE COPIED OR DISCLOSED WITHOUT WRITTEN CONSENT

Type:	Cable 146 RF
	CABLE 146 RF
Drawing Number:	
Sheet	1 of 1
Drawing	© E and O E